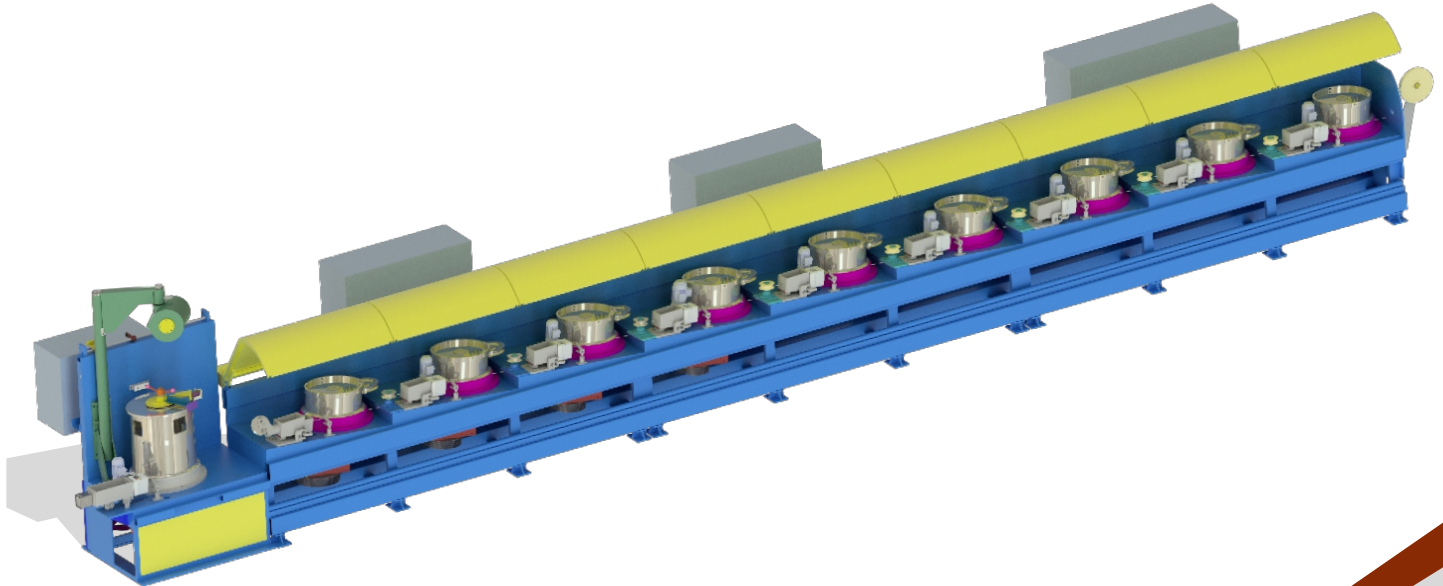


Dry Drawing Machine for Low Carbon

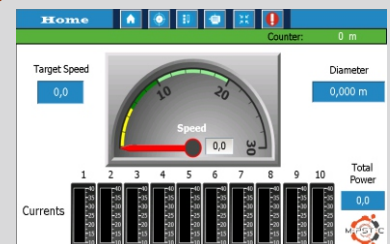
 www.mepstec.com

 info@mepstec.com



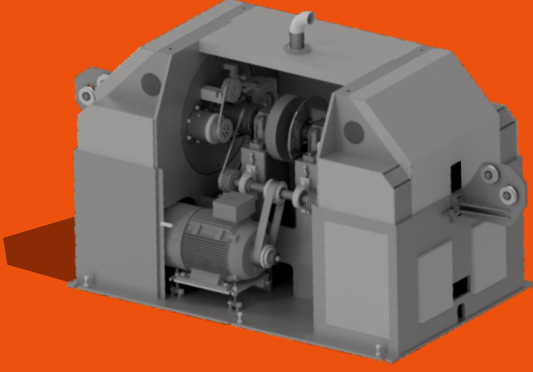
Features

- Tungsten carbide coated blocks
- Up to 6,5mm inlet diameter
- Up to 25 meter / second wire speed
- Possibility of bypassing any of the blocks
- Speed Control with Dancer Arm
- All Rotating Dies
- Motorized Soap Stirrer
- Rockwell Automation Drives and PLC
- Siemens IE3 Motor with special bearing



MACHINERY - DIGITALIZATION - AUTOMATION

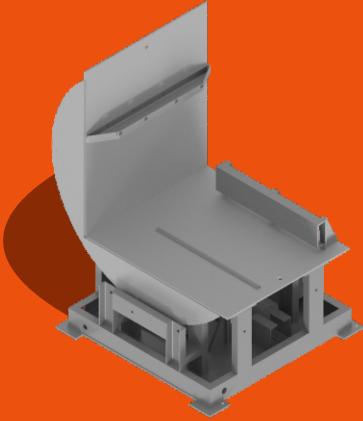
Other Machines



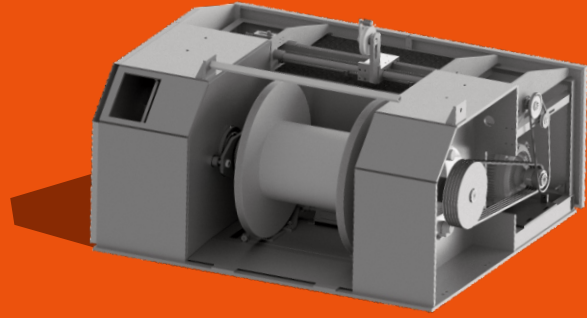
**Sandpaper
Machine**



Payoff



Manipulator



Spooler